

**STERILLO** 



**USER MANUAL**



## WARNING: INJURY MAY OCCUR IF MISUSED



Prohibited

- Do not open the front panel – electric shock risk
- Never look directly at the UV bulb when in operation
- Do not allow children or adults to pull or hang on the machine
- Place the unit away from direct water supplies



Do not allow unit to get excessively wet

- A suitably rated fused power supply is required
- Ensure the correct power supply is used, if more than +/-10% the unit may malfunction
- The power must be turned off during installation and maintenance
- Ensure the unit has a reliable earth connection



Do not dismantle

- This hand dryer must be installed by a qualified electrician
- If the power cord is damaged it must be replaced by the manufacturer, its service agent or a qualified person
- A residual current device (RCD) with a rated residual operating current, not exceeding 30mA is recommended



Follow instructions carefully

- Please use dedicated spur
- In case of malfunction, switch off power immediately
- Air filter must be installed



### Environmental Protection

- Do not dispose of electrical waste with household waste, please recycle in appropriate facilities. Check with your Local Authority or retailer for recycling advice.

## SPECIFICATIONS

<b>Voltage</b>	240V	<b>Motor</b>	Brushed motor
<b>Phase</b>	Single phase	<b>Sensing distance</b>	15–20cm
<b>Power</b>	1400W	<b>Protection class</b>	IPX1
<b>Air speed</b>	60–105m/s	<b>Dimensions</b>	335 x 172 x 410mm
<b>Heating power</b>	800–950W	<b>Net weight</b>	5.1kg

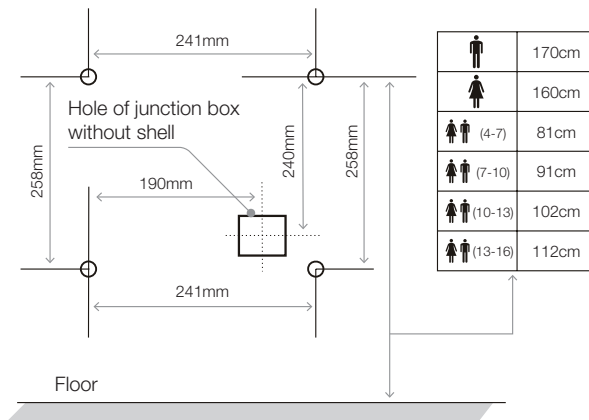
**DO NOT install in the following places**

- Where the temperature can be below -10°C or above 40°C
- Where the unit may come into direct contact with excessive water
- If the unit will be in direct or strong sunlight
- If there is a lot of condensation in the environment
- If there are corrosive, neutral or reductive gases present
- 20m or more below, or 2000m or higher than, sea level

**Installation position**

The following diagram shows the recommended position

- Ensure there is at least 150mm clear space below the machine (either to the floor or other objects in the location)
- It is recommended that a minimum distance of 100mm should be left clear to either side of the unit
- Avoid locations where people or doors might damage the unit
- Choose a completely flat wall surface to mount the unit onto

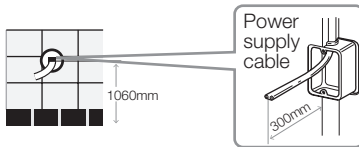


## LOCATION & PRE-INSTALLATION PRECAUTIONS

### 1 Connect the unit to power supply

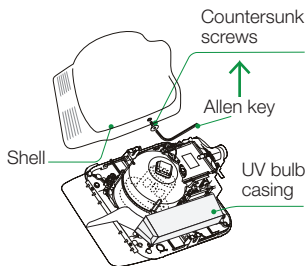
Embed a backbox in the installation location (1 switchbox no cover)

- If no backbox is used the power cord may prevent the unit from sitting flush against the wall



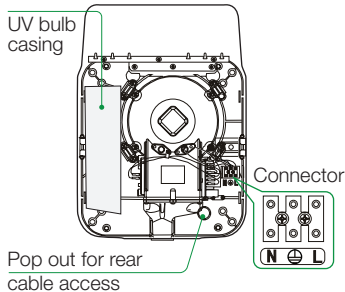
### 2 Remove the outer shell

- Using the Allen key supplied, remove the 2 countersunk screws from the body of the unit
  - Pull the outer shell upwards gently to remove
- ⚠ Take extra care to avoid scratching the shell



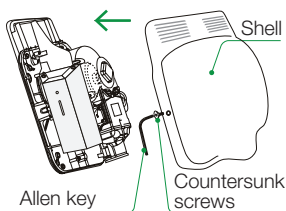
### 3 Machine installation

- Fix the unit directly to the wall using screws supplied
- ⚠ Connections: Live=**L**, Neutral=**N**, Earth=**⊕**



### 4 Replace outer shell

- Using the Allen key supplied, tighten the 2 screws at the sides of the body



## DAILY USE & ROUTINE MAINTENANCE

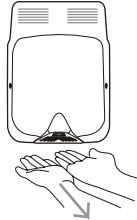
STERILLO<sup>+</sup>

1

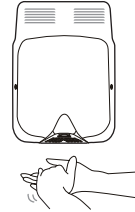


Place hands, palms down, beneath the dryer

Move backwards and forwards in the air flow



Turn hands, to palms up and repeat backwards and forwards motion



Finally rub hands together to remove any final dampness

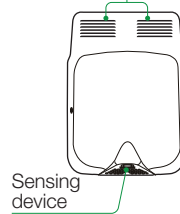
2

### External maintenance

Clean with a soft cloth. If the unit is very dirty use a soft, dampened cloth with a neutral cleaning agent, then polish with a soft, dry cloth

- Only use neutral cleaning agents
- Do not use thinners, acidic or alkaline toilet cleaners or nylon brushes (they may damage the surface)
- If using chemical cloths, read instructions first

Sanitisation outlet



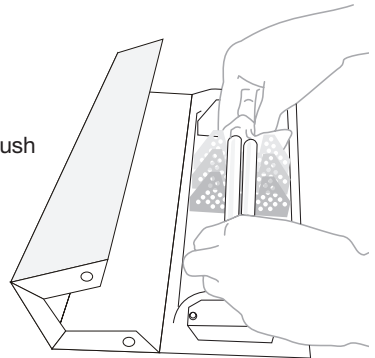
Sensing device

3

### Bi-annual replacement of UV lamps

**!** NEVER look at the bulbs when in operation

- Ensure unit and power are switched off and remove the outer shell to access the lamp unit
- Remove lamp unit cover to reveal the dual bulb. Carefully clear the unit of any dust using a soft brush
- Gently loosen the old lamp by holding the lamp holder in one hand and pulling the lamp upwards and away from the lamp holder
- Replace the dual lamp with a new one by inserting it into the lamp holder and pushing it downwards until it clicks into position. Do not touch the new lamp with your bare hands
- Replace the cover



4

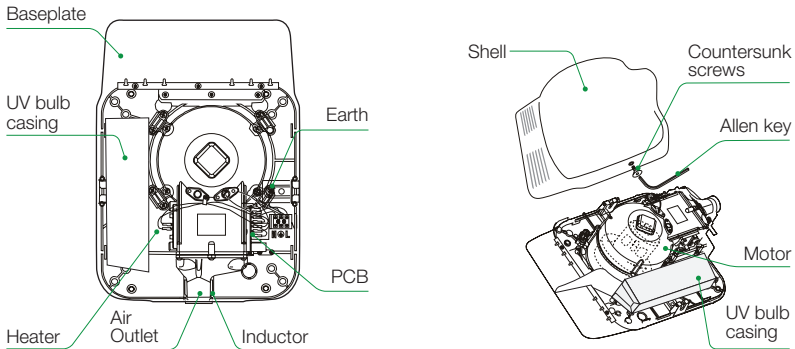
### LED indicator lights

- LED lights showing through the top grills slowly fade on and off under normal operation. If the LEDs change to **red**, it means the lamp has failed and needs immediate replacement, the Sterillo will still operate as a normal hand dryer, however, its sanitisation module will not be functioning until the lamp is replaced.

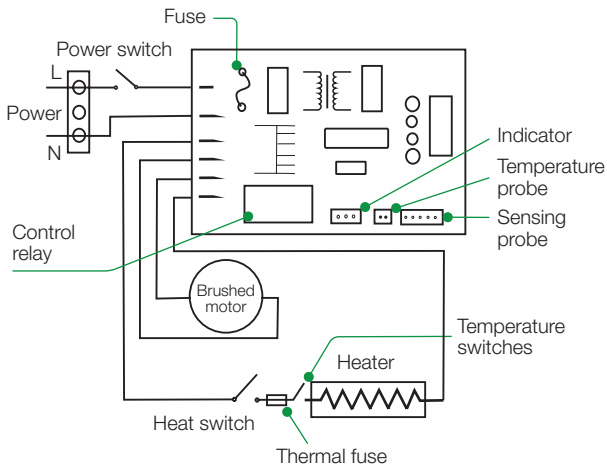
5

# COMPONENTS & ELECTRICAL SCHEMATIC

## 1 Components



## 2 Electrical Schematic



<b>A. Rawplug</b> .....	<b>x 8</b>
<b>B. 30mm Wall screws</b> .....	<b>x 8</b>
<b>C. Splashback panel</b> .....	<b>x 1</b>
<b>D. Wall sticker</b> .....	<b>x 1</b>
<b>E. Instruction manual</b> .....	<b>x 1</b>
<b>F. Wall fixing template (double sided)</b> .....	<b>x 1</b>
<b>G. Allen key</b> .....	<b>x 1</b>
<b>H. Sterillo unit</b> .....	<b>x 1</b>
<b>I. Warranty card</b> .....	<b>x 1</b>



air+surface  
sanitisation  
by

**STERILL** 

CE

[www.sterillo.com](http://www.sterillo.com)